



7300 Monitor

THE 7300 MONITOR ENABLES MONITORING OF MULTIPLE PARAMETERS FROM A CENTRALIZED LOCATION. THIS FLEXIBLE ONLINE SYSTEM IS SUITABLE FOR USE ACROSS A FULL RANGE OF WATER AND WASTEWATER TREATMENT PROCESS APPLICATIONS.

INTEGRATED SOLUTION

- The 7300 Monitor is part of a complete digital portfolio and can be used with the full line of turbidity, dissolved oxygen, multiparameter, and WaterTech sensors to log and display data and transmit it to a SCADA system.

FLEXIBLE CONTROL

- With Modbus or 4-20 mA connections, the system is easy to expand using the WaterWatch Expansion Box if additional measurements are required.
- The monitor's smart design interfaces with individual sensors, allowing for connection of 2 inputs and up to 8 sensors (with the Expansion Box) to measure up to 16 parameters.
- Expansion and junction boxes can be used to customize the monitoring system and to increase the distance between sensor installations.
- Built-in, user-configurable trending display shows the previous 24 hours of data for any measurement point on an easy-to-navigate graph that can be downloaded for reporting.

TOTAL FIELD SUPPORT

- Our team of experts provides outstanding customer service and technical support.

PARAMETERS

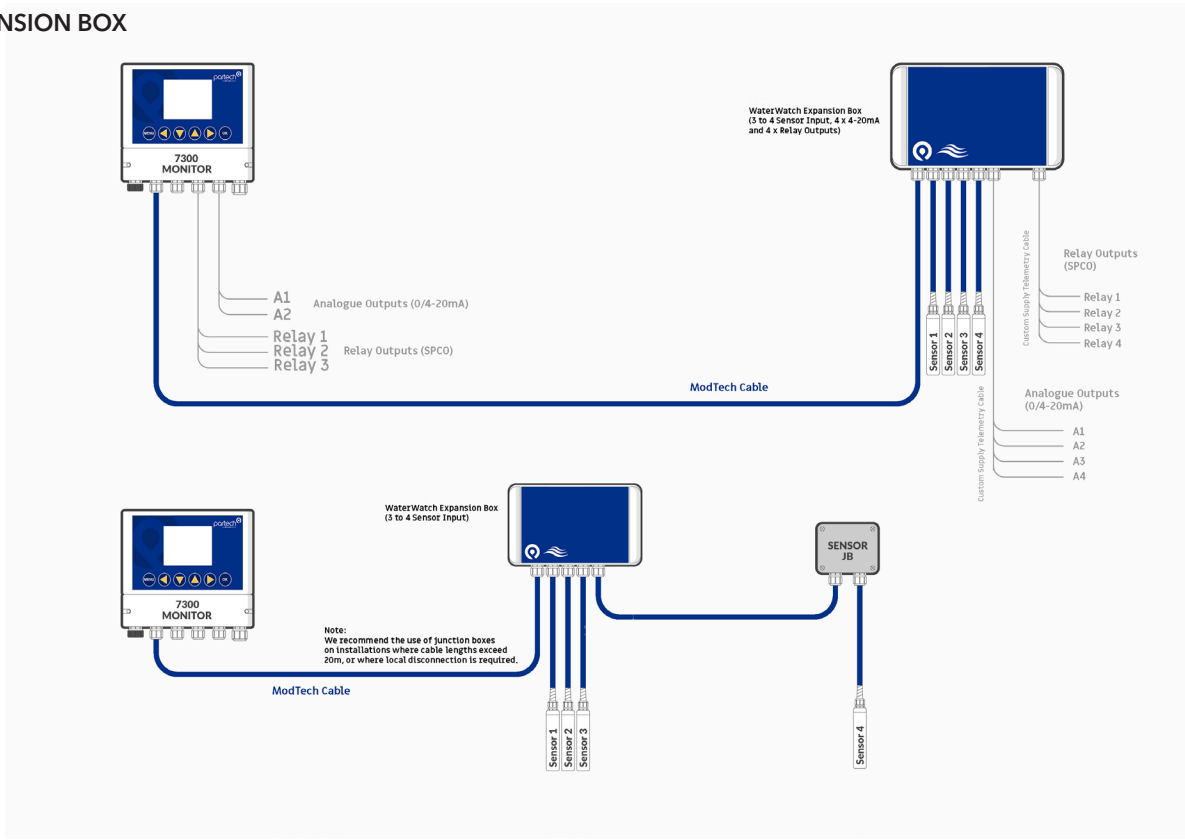
- Total Suspended Solids (TSS)
- Turbidity
- Temperature
- pH & ORP
- Dissolved Oxygen (DO)
- Color
- Conductivity
- Ammonium
- Pressure
- Level
- Salinity
- Nitrate
- Chloride



Applications:

- DRINKING WATER AND WASTEWATER
PROCESS MONITORING

EXPANSION BOX



GENERAL	7300 Monitor		
DIMENSIONS	185 mm (7.3 in) x 213 mm (8.4 in) x 95 mm (3.7 in)	RELAYS	3 (reduced to 1 relay for Modbus/Profibus)
WEIGHT	1.4 kg (3.1 lbs)	RELAY TYPE	SPCO
PROTECTION CLASS	IP65	RELAY RATING	Max 5 A @30VDC/230VAC
ENCLOSURE MATERIAL	Polycarbonate (PC)	AUXILIARY CONNECTIONS	Configurable for Remote Input, Device Power
CABLE ENTRIES	1x M20, 4xM16, 1 x USB Type A	DIGITAL COMMUNICATIONS	ModTech - RS485
OPERATING TEMPERATURE	-20 to +70 °C (-4 to 158 °F) 0-95% Humidity (Non-Condensing)	DISPLAY	Graphical LCD, Black on White
POWER SUPPLY	85 to 264 VAC 50/60 Hz or 9 to 36 VDC	BACKLIGHT	On/Off/On after keypress, with user-adjustable contrast
POWER RATING	AC Supply - 0.8A or DC Supply - 30W	KEYPAD	6 Key
ANALOGUE OUTPUTS	0/4-20 mA, max load 750 ohms	TRENDING DISPLAY	24-hour trend display - user configurable
SERIAL OUTPUTS	Modbus RTU/RS485 & Profibus DP (expansion box required for Profibus DP)	DATALOGGING	USB port for user memory stick 10,000 records limit User-configurable intervals 1-999 seconds

GENERAL	WaterWatch Expansion Boxes		
EXPANSION	TYPICAL USE	INPUT	OUTPUT
WaterWatch Expansion Box (1 x 4-20 mA Input)	Connect a 4-20 mA sensor to a 7300 Monitor	1 x 4-20 mA Analog Input	Monitor Connection
WaterWatch Expansion Box (3 to 4 Sensor Input)	Connect additional sensors to a 7300 Monitor	3 to 4 Sensor Input	Monitor Connection
WaterWatch Expansion Box (3 to 4 Sensor Input, 4 x 4-20 mA and 4 x Relay Outputs)	Connect additional sensors to a 7300 Monitor and provide additional output signals	3 to 4 Sensor Input	Monitor Connection, 4 x 4-20 mA and 4 x Relay Outputs
WaterWatch Expansion Box (Profibus DP, via Interface Unit)	Provide Profibus connectivity from a 7300 Monitor	Monitor Connection for Profibus	Profibus DP, via Interface Unit
Warranty - 2 years			